



**PHOENIX**<sup>®</sup>  
DURABILITY X DESIGN™



# Cube-Light

Compact LED Area Light

Australian Design No. 359170  
US Patent No. D762,321 S

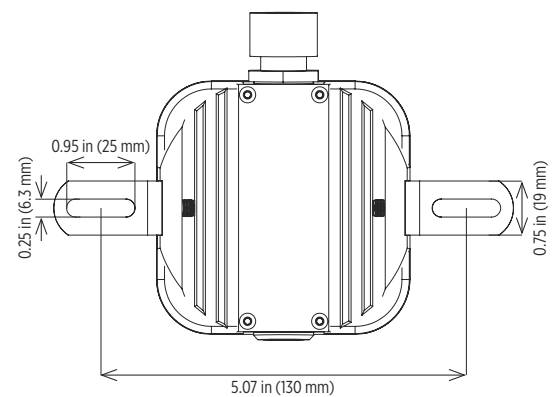
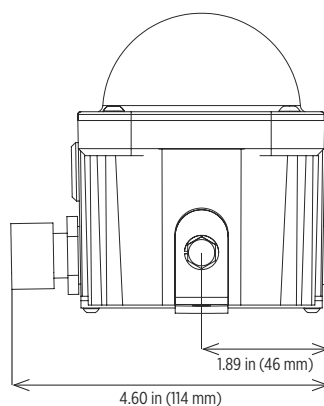
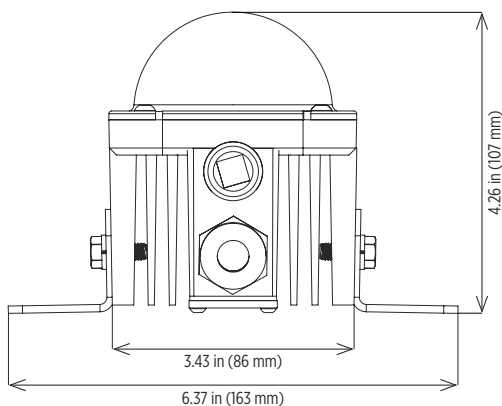
Delivers up to 1000 lumens to doorways, walkways, cabins or other small areas

Competitive pricing with short lead times

Various mounting options for maximum versatility

LED technology increases efficiency, eliminates maintenance and supports green initiatives

## Dimensions



# Cube-Light

## Compact LED Area Light

### Specifications

<b>Construction</b>	Cast aluminum housing
<b>Finish</b>	White thermoset powder coat
<b>Hardware</b>	Marine grade (316) stainless steel
<b>Lens</b>	Impact-resistant, diffuse polycarbonate Diffuse red, green, blue and amber lens accessories available (AMB-CL, BLU-CL, GRN-CL, RED-CL)
<b>Light source</b>	13W, up to 1000 lumens Conformal coated CRI ≥ 70 CCT 5000K 50,000 hour rated life
<b>Power source</b>	120-240V, 50/60Hz 13-27V DC
<b>Wiring</b>	Stranded wires Cord not included - standard 72.00 inch (1829 mm) cord with pigtail option (CD) NEMA 5-15 plug (120V only) sold separately (PLG-515)
<b>Through wiring</b>	Continuous row mounting option (TW)
<b>Ambient operating temperature</b>	-30°C to +50°C
<b>Mounting</b>	Flush mount brackets - standard Harp mount available Rail mount available - 2.00 inch overall diameter Fixture can be mounted in any orientation
<b>Weight</b>	2.0 lb (0.9 kg)
<b>Warranty</b>	3 years

For IES files, see website or contact factory

### Compliances

ETL/cETL Listed to:

- UL 1598 Suitable for Wet Locations
- UL 1598A Marine Outside Type (Saltwater)
- CSA C22.2 No. 250.0

CE

ABS

IP66 rated

LM79 and LM80 reports available



The Cube-Light on an STS crane



## Ordering Information

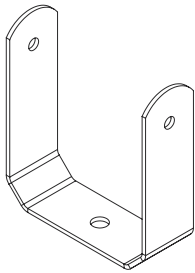
Example: CL-13LED-120-240

Fixture	Wattage/Type	Voltage	Options
CL	13LED	120-240 <sup>1,2</sup> DC <sup>3</sup>	CD TW

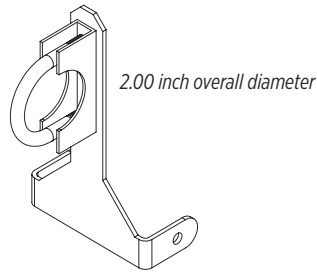
Wattage/Type	Voltage	Options	Notes
13LED 13W, up to 1000 lumens	120-240 <sup>1,2</sup> 120-240V, 50/60Hz DC <sup>3</sup> 13-27V DC	CD 72.00 inch (1829 mm) cord with pigtail option TW Continuous row mounting	1 ETL/cETL listed 2 CE 3 No certifications

**Special Projects:** We may be able to accommodate your special projects, so please don't hesitate to ask about additional options. Minimum order quantities and/or extended lead times will apply. Contact your Phoenix representative with specific inquiries.

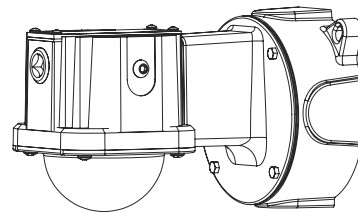
## Mounting (order separately)



**Harp Mount**  
HRP-CL



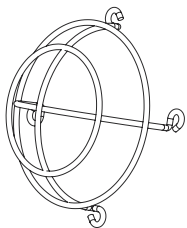
**Rail Mount**  
RLMT-CL  
Contact factory



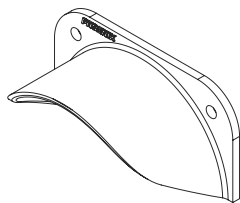
**Wall Mount**  
Complete fixture sold separately  
Refer to Cube-Light Wall Mount spec sheet

*Flush mount comes standard with fixture*

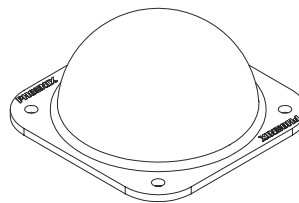
## Accessories (order separately)



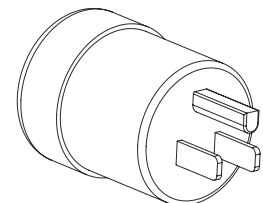
**Wire Guard Kit**  
WG-CL



**Visor Kit**  
VSR-CL



**Color Lens Kits**  
AMB-CL amber lens kit  
BLU-CL blue lens kit  
GRN-CL green lens kit  
RED-CL red lens kit



**NEMA 5-15 plug (120V only)**  
PLG-515



# Cube-Light

Compact LED Area Light

**PHOENIX**<sup>®</sup>  
DURABILITY X DESIGN<sup>™</sup>

*Cover photo: Cube-Light shown flush mounted along an accessway on a ship-to-shore crane*

Product design and specifications are subject to change without notice. The most current version of this specification sheet can be found on our website: [www.phoenixlighting.com](http://www.phoenixlighting.com).



Phoenix Lighting 8711 West Port Avenue Milwaukee, WI 53224 USA  
Phone: +1 414.973.3300 Toll Free: 800.438.1214 Fax: +1 414.973.3210 [www.phoenixlighting.com](http://www.phoenixlighting.com)

N5485010P  
05.11.21