

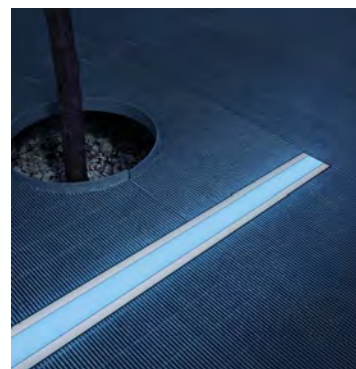
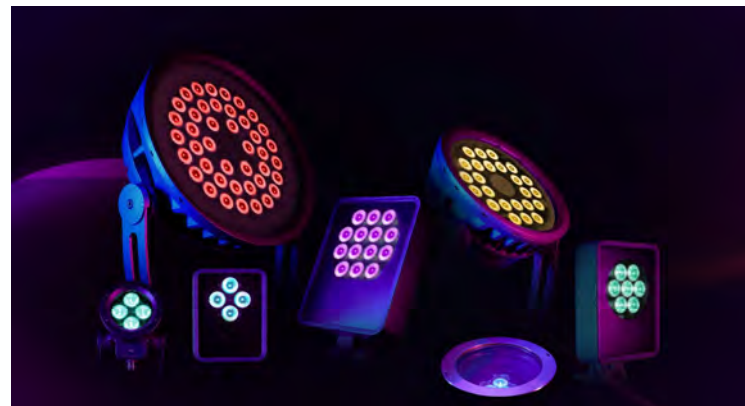
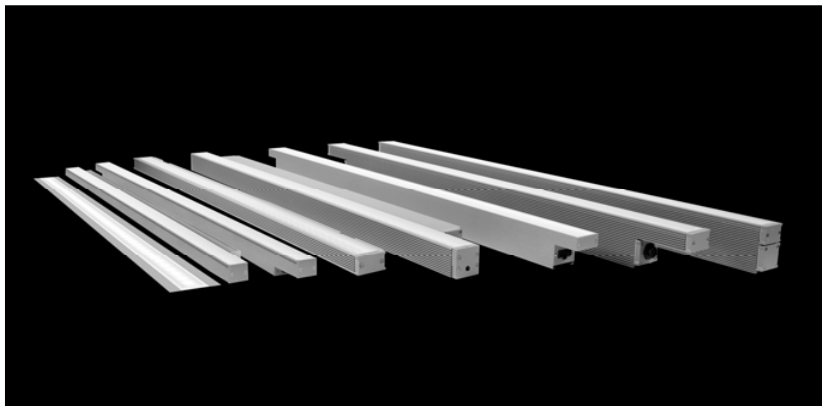
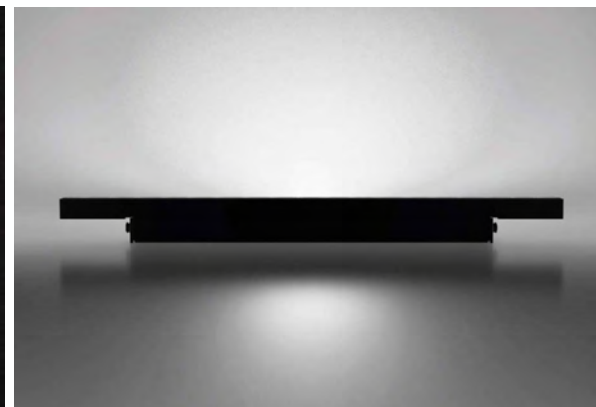
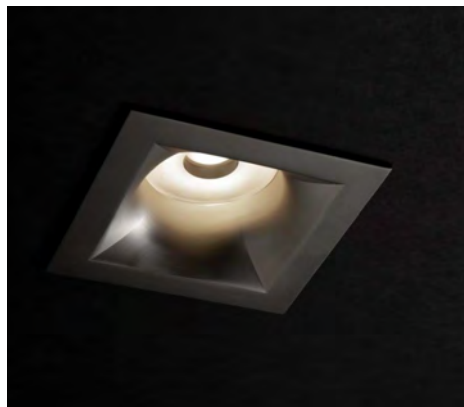


lumenpulseTM
Light Defines the Experience

Van Gogh House, Netherlands
Engineering company: Montad B.V
Lighting Design : Industrielicht
Partner: Industrielicht
Photographer : Jaap Lotstra



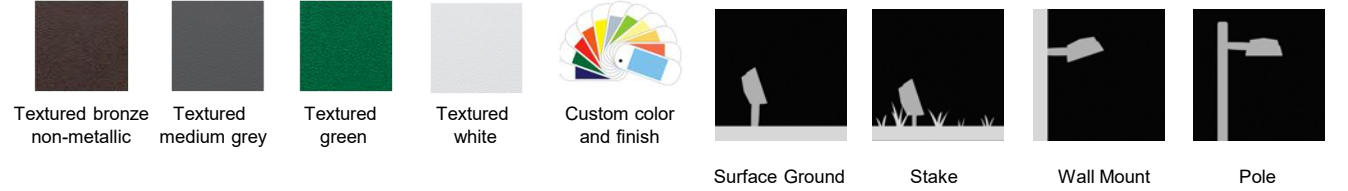
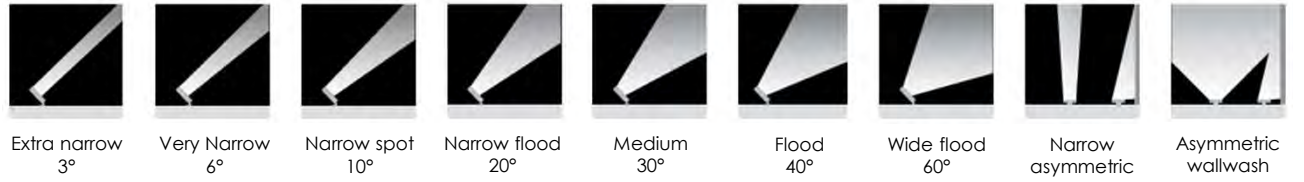
We Think in Families



+100
PRODUCTS

lumenpulse™

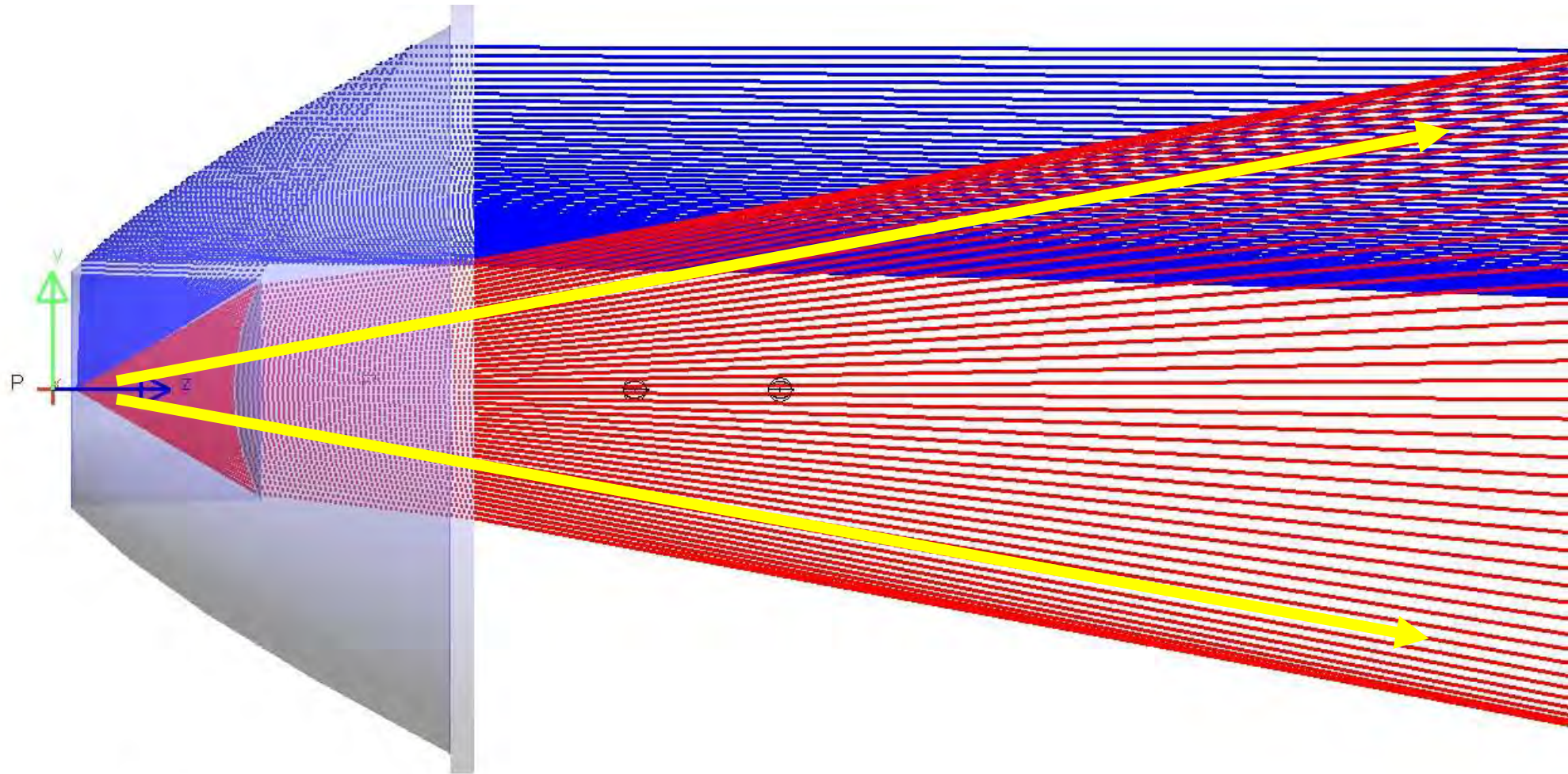
Crayon box of options



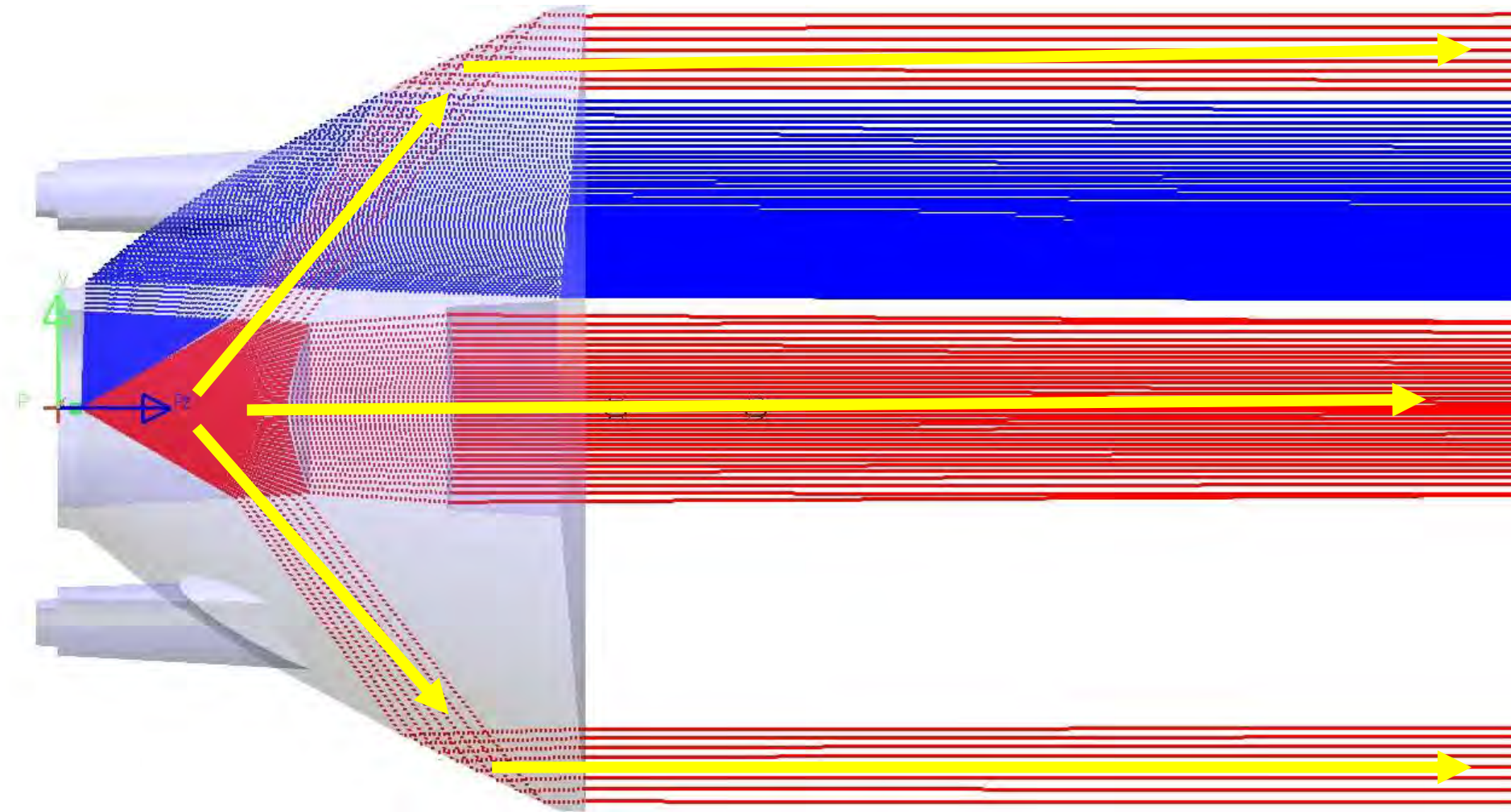


Lumenpulse Optical Design

Lumenpulse Optical Design



Lumenpulse Optical Design





What does it take to put **10 lux** at the top of the highest building in the Netherlands?



1

Lumenbeam Large
257mm diameter only

3°

Extra narrow optic
593,580 candelas

50w

Low energy consumption
4,259 delivered lumens

L80

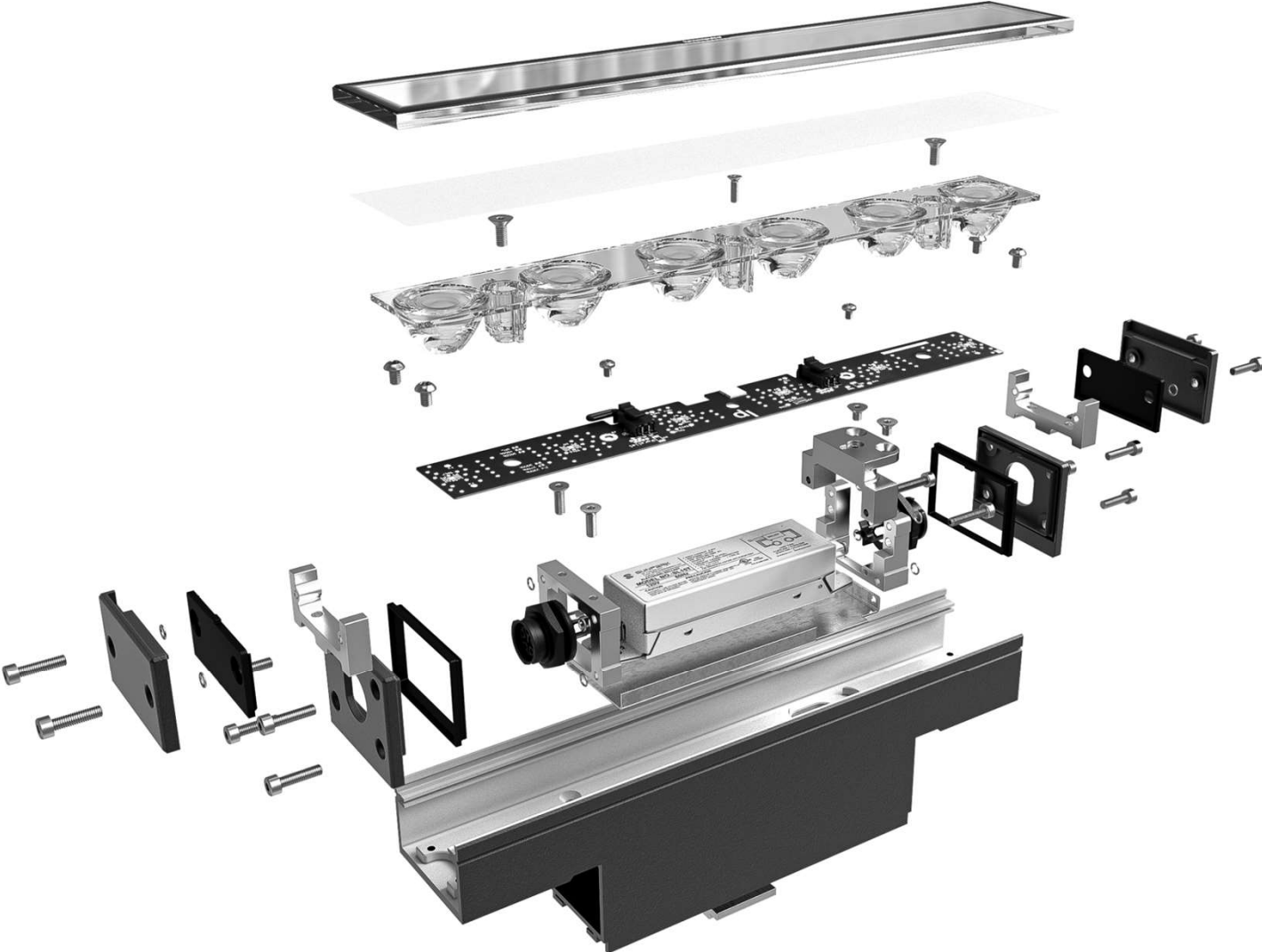
100,000 hours (at 25°C)
B10

2

MacAdam ellipse
Best-in-class colour consistency

Sustainability

Replaceable components, locally*



*Must contact Lumenpulse prior to opening fixture. Only to be completed by Approved Lumenpulse repair agent.



Church of Our Lady of Laeken
LIGHT-TO-LIGHT
Marc Detiffe

2

Product Families

Lumenbeam and Lumenfacade

15

Different configurations

Lengths, outputs, optics

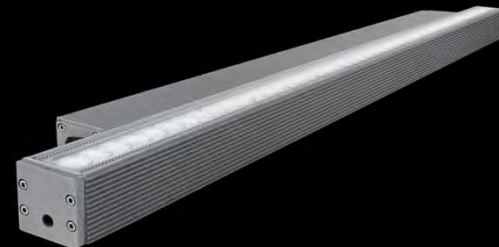
2

CCTs

2200K and 3000K

139

Luminaires

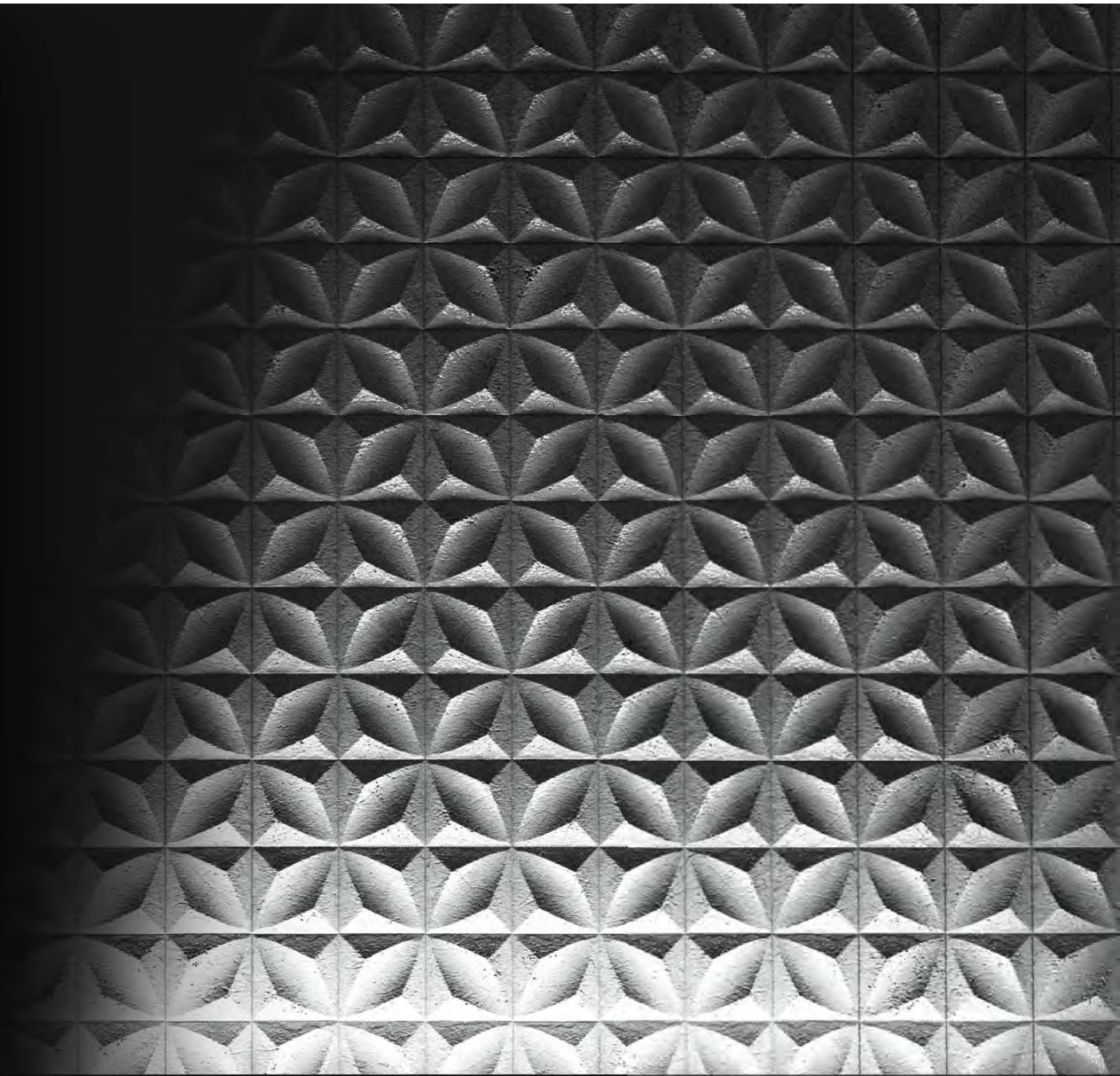
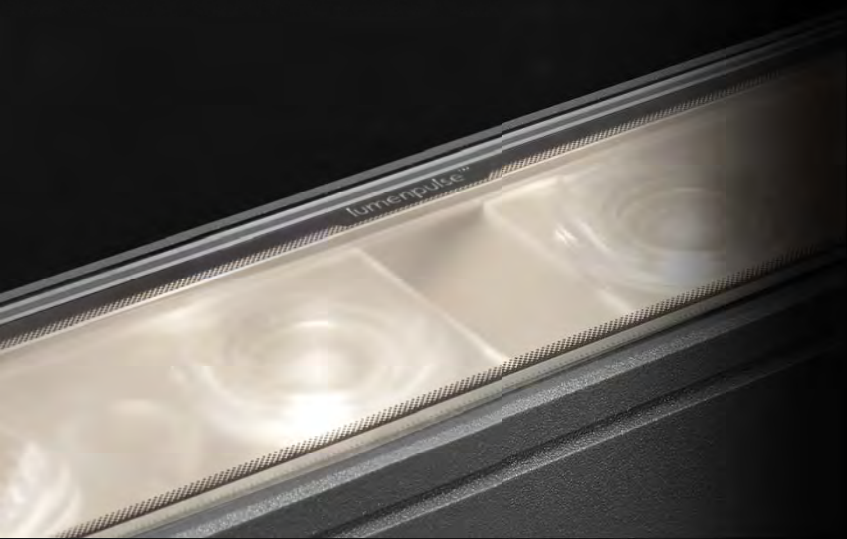




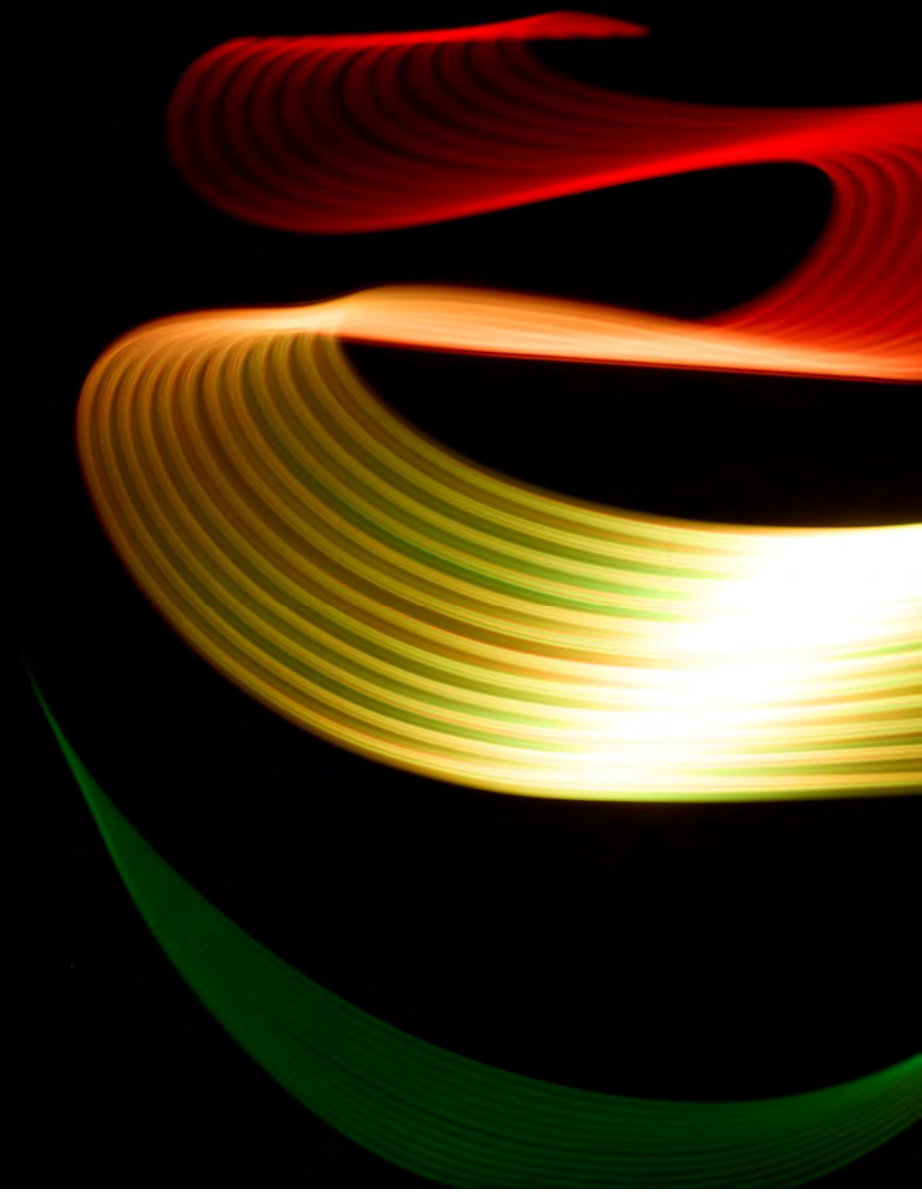
Van Gogh House, Netherlands
Engineering company: Montad B.V
Lighting Design : Industrielicht
Partner: Industrielicht
Photographer : Jaap Lotstra

Optical Demonstration

Lumenfacade Pure



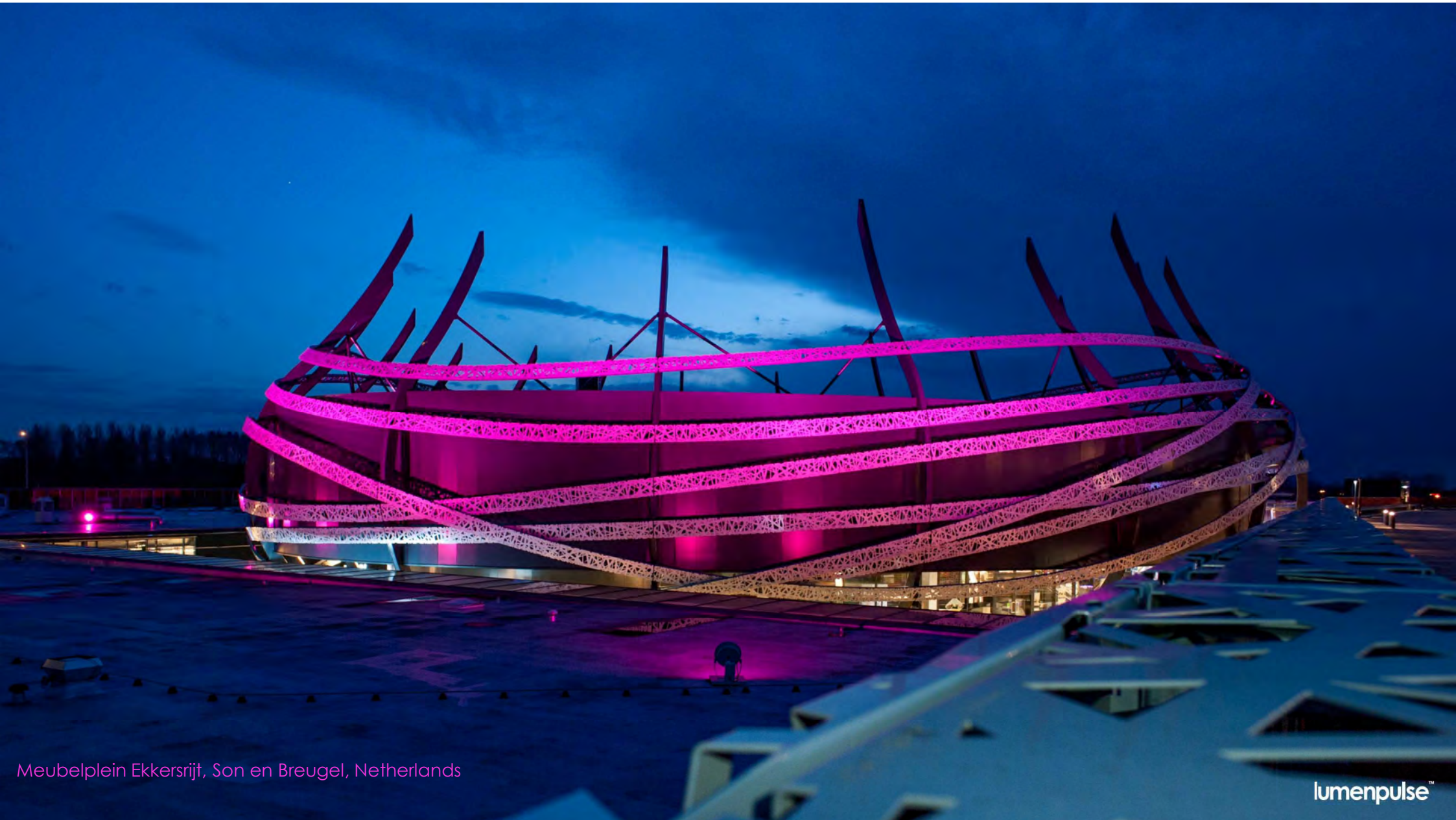
See more at tent #2
lumenpulseTM





Assen Station, Netherlands
Engineering company:
Lighting Design :
Partner:
Photographer :

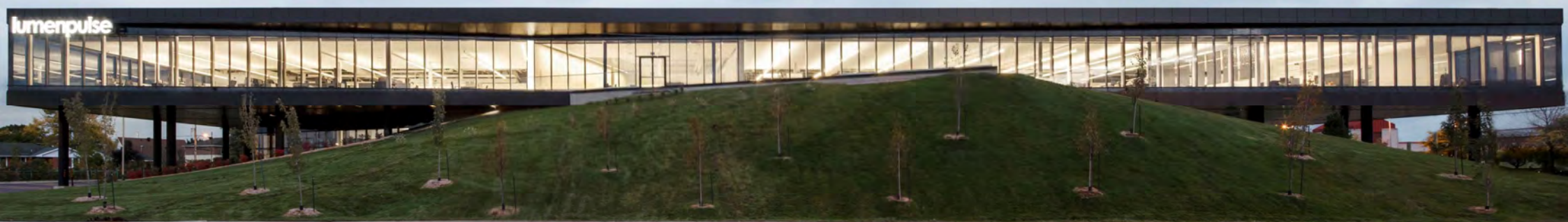
lumenpulse™



Meubelplein Ekkersrijt, Son en Breugel, Netherlands



lumenpulse[™]
Light Defines the Experience



lumenpulse

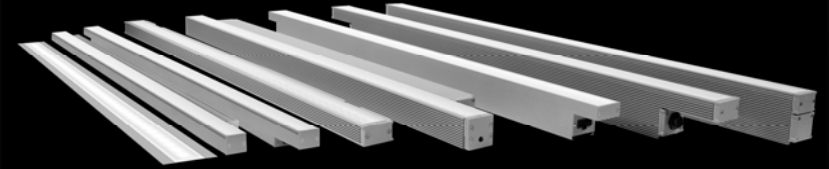
We think in Families

The right amount of light

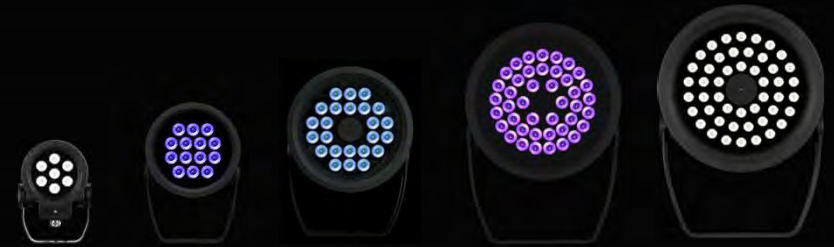




lumenfacade



lumenbeam

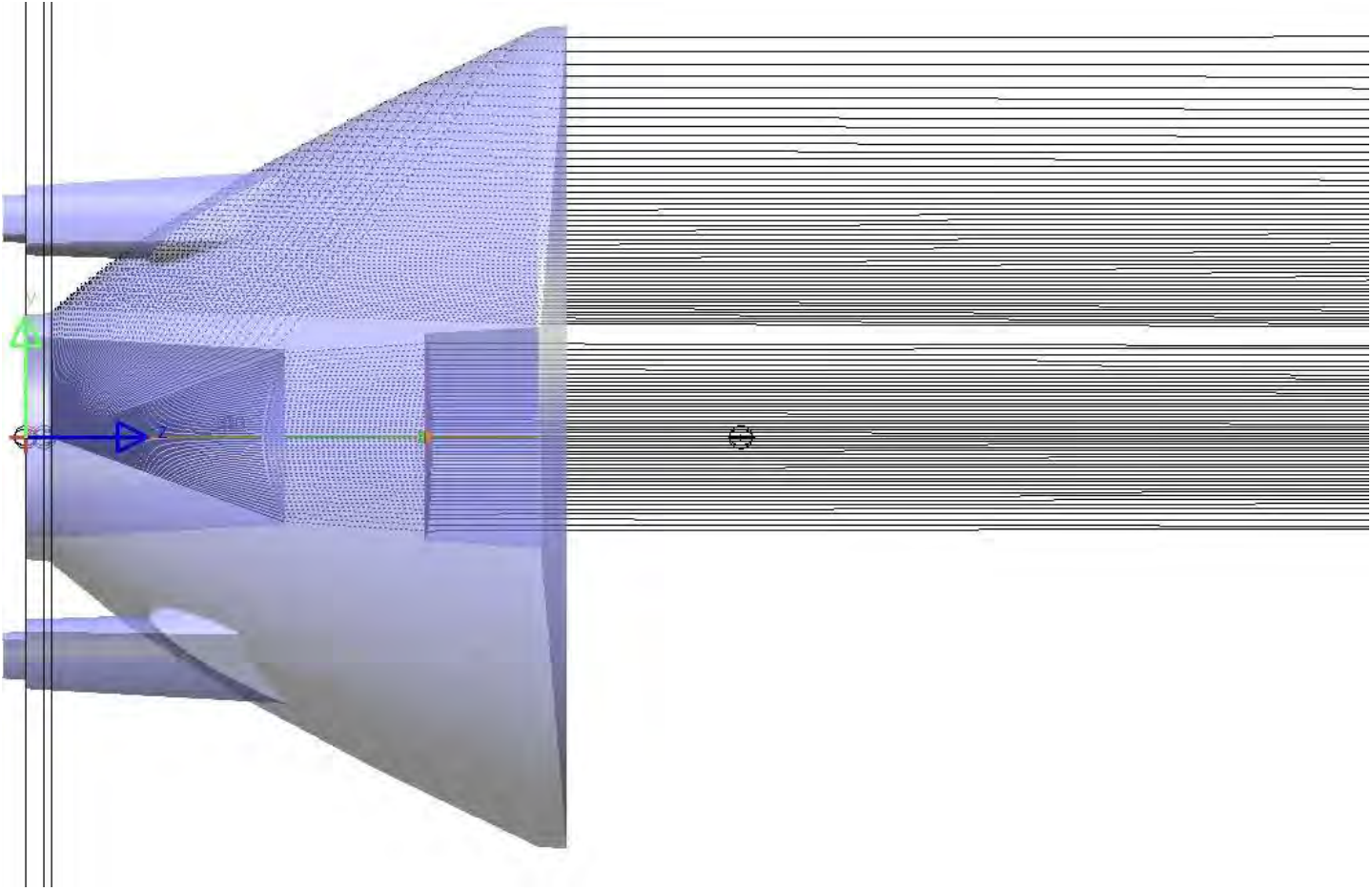


lumenquad

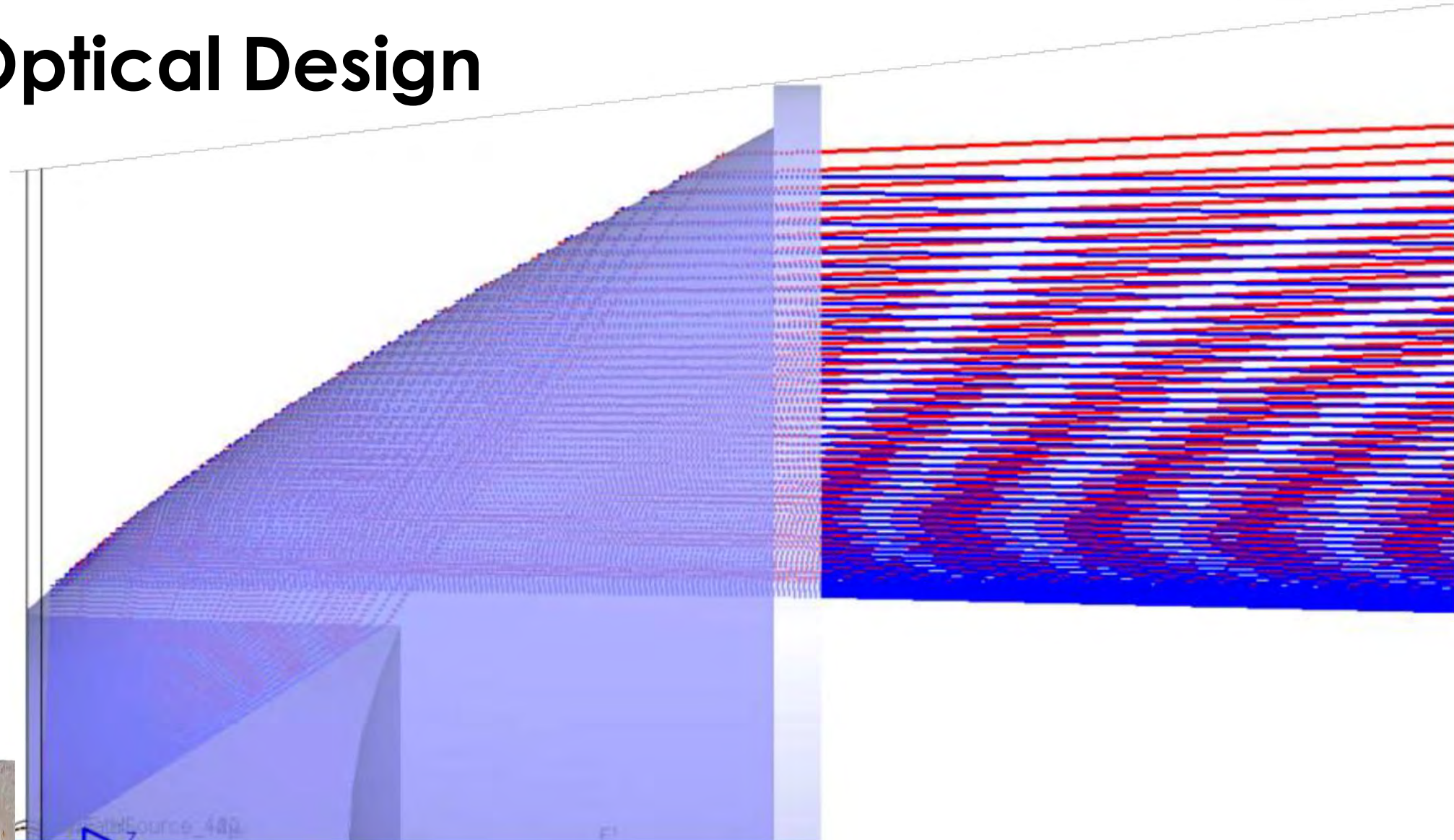


cylinders



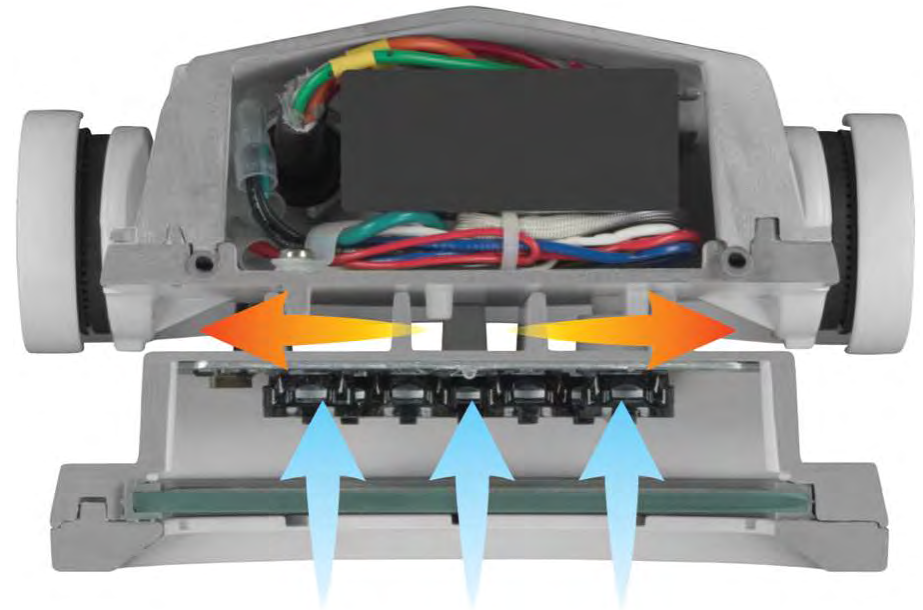


Optical Design



Sustainability

Replaceable components,
locally*



Add image of LFP cross section from website?

*Must contact Lumenpulse prior to opening fixture. Only to be completed by Approved Lumenpulse repair agent.



STRASBOURG
Cathedral of Light