



Delivers up to 1100 lumens to walkways, stairways and other small areas

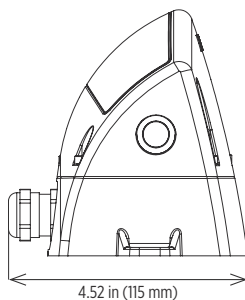
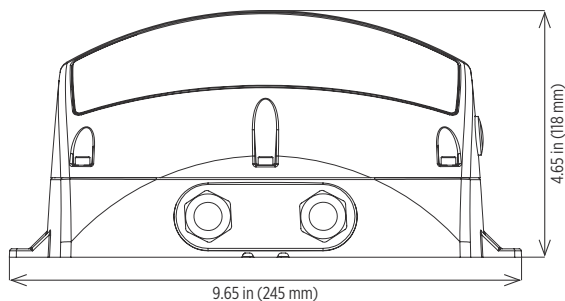
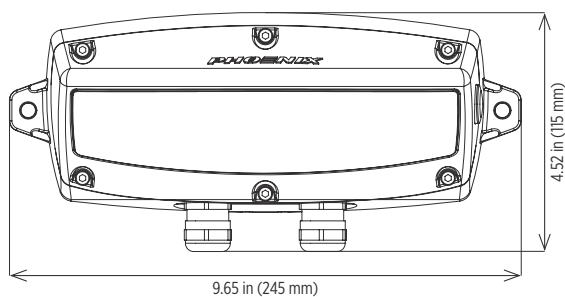
Superior customized optics

Emergency battery backup (EMB) option

Rugged construction with a contemporary design

LED technology increases efficiency, eliminates maintenance and supports green initiatives

## Dimensions



## Specifications

<b>Construction</b>	Cast aluminum housing
<b>Finish</b>	Thermoset powder coat
<b>Hardware</b>	Marine grade (316) stainless steel
<b>Lens</b>	Clear polycarbonate, impact-resistant, UV resistant
<b>Light source</b>	9W, up to 1100 lumens CRI ≥ 70 CCT 5000K 50,000 hour rated life
<b>Power source</b>	120-277V, 50/60Hz 4kV surge protection
<b>Wiring</b>	Stranded wires Cord not included - standard
<b>Through wiring</b>	Continuous row mounting (TW) - standard
<b>EMB</b>	Input power 120-277V, 50/60Hz Up to 15 watts (charging) Minimum 120 minutes run time Approximately 400 lumens
<b>Ambient operating temperature</b>	-40°C to +50°C - standard 0°C to +50°C - EMB option Contact factory for lower ambient temperature option
<b>Weight</b>	4.0 lb (1.8 kg)
<b>Warranty</b>	5 years

For IES files, see website or contact factory

## Compliances

ETL/cETL Listed to:

- UL 1598 Suitable for Wet Locations
- UL 1598A Marine Outside Type (Saltwater)
- CSA C22.2 No. 250.0

CE

ABS

IP66 rated

LM79 and LM80 reports available



## Ordering Information

Example: WF-10LED-TW

Fixture	Wattage/Type	Options
WF	10LED-TW	EMB <sup>1</sup>

### Wattage/Type

10LED-TW 9W, up to 1100 lumens, continuous row mounting (TW) provided on all fixtures, install blanking plug (provided) when second cord grip not required

### Options

EMB<sup>1</sup> Emergency battery backup

### Notes

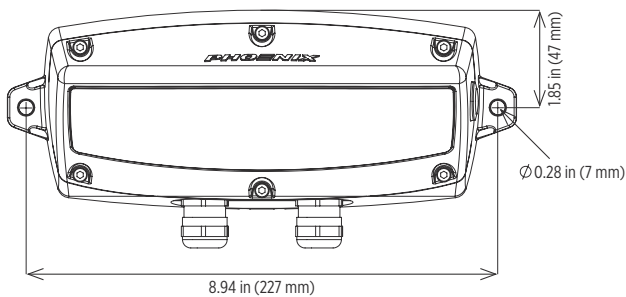
1 Contact factory

**Special Projects:** We may be able to accommodate your special projects, so please don't hesitate to ask about additional options. Minimum order quantities and/or extended lead times will apply. Contact your Phoenix representative with specific inquiries.

## Mounting

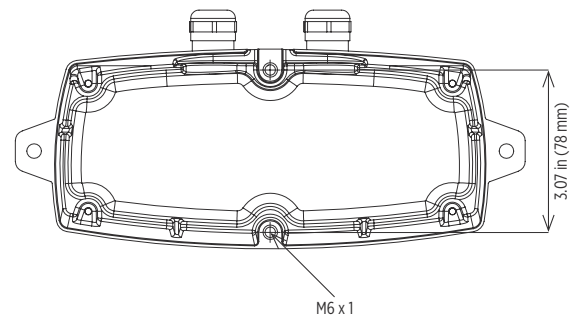
### Surface Mount

Comes standard with fixture



### Bracket Mount

Comes standard with fixture,  
2 x M6 threaded holes on back of fixture



Product design and specifications are subject to change without notice. The most current version of this specification sheet can be found on our website: [www.phoenixlighting.com](http://www.phoenixlighting.com).